



OBS12300HR (12V 300W)

High Rate VRLA Battery



OSONIX High Rate VRLA has High-Density AGM technology, Manufactured from high purity lead (99.99%), its advanced lead tin calcium alloy reduces grid corrosion and promotes long battery life for up to 12 years.

► Features

- Absorbed Glass Mat technology (AGM) for greater than 99.99% recombination efficiency
- Special designed thin grids for optimized high power density
- Oversized partition intercell welds, providing low resistance connections & minimal power loss
- Compliance with IATA/ICAO Special Provisions ComplianceA67 (No restrictions for rail, road, sea & air transport)
- Superior performance at high rates of discharge & recharge

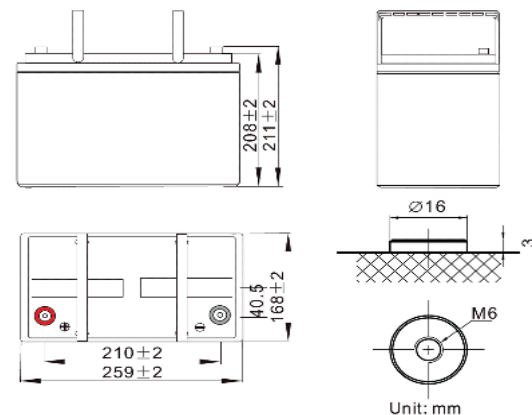
► Applications

- UPS
- Hospitals & Testing Laboratories
- Emergency Power Supply
- Telecommunications
- Data Centers
- Banks & Financial Centers
- Power Generation Plants
- High Power Backup Supply
- Emergency Lighting Systems



SPECIFICATIONS STANDARD @ 25°C(77°F)		
Nominal Voltage		12 V
Nominal Rate (15 min to 1.67 V/cell)		324.6 W/cell
Nominal Capacity (20 hrs. to 1.80 V/cell)		82 Ah
Rated capacity	83.4 Ah	(20hr, 4.17 A, 1.75V/cell)
	77.28 Ah	(8hr, 9.66 A, 1.75V/cell)
	65.7 Ah	(3hr, 21.9A, 1.75V/cell)
	57.5 Ah	(1hr, 57.5A, 1.67V/cell)
Max. Discharge Current		1230 A
Internal Resistance		4.5 mΩ
Operating Temp. Range	Discharge	-15~50 °C (5~122 °F)
	Charge	0~40 °C (32~104 °F)
	Storage	-15~40 °C (5~104 °F)
Nominal Operating Temp. Range		25 ±3 °C (77 ±5 °F)
Short circuit current		2100 A
Charge voltage	Float	13.5 V
	Temp. Coefficient	-3 mV / cell / °C
	Equalization	14.1 ~ 14.4 V
Self Discharge		≤3%/month

PHYSICAL SPECIFICATIONS		
Dimension	Length	260 ±2 mm (10.2 inches)
	Width	168 ±2 mm (6.61 inches)
	Height	208 ±2 mm (8.19 inches)
	Total Height	211 ±2 mm (8.31 inches)
Weight		24.0 Kg (52.9 lbs)
Terminal		M6
Container Mat. (Flame retardant)		ABS UL94 V-0
Recommended Torque		4 Nm (35.40 in-lbs)
Maximum allowable torque		5.4 Nm (47.79 in-lbs)



Compliance with:
IEC 60896 standard,
CE UL 1989, UL94 V-0
IATF16949, OHSAS 18001, ISO 9001, ISO 14001 certified production.



OBS12300HR (12V 300W)

High Rate VRLA Battery



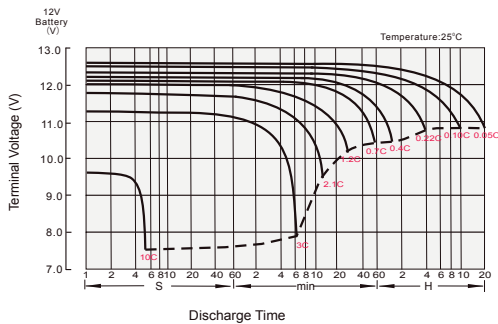
CONSTANT CURRENT DISCHARGE (AMPERES) AT 25°C (77°F)

Final V / Time	5 min	10 min	15 min	20 min	30 min	45 min	1 hr	2 h	3 h	4 h	5 h	6 h	8 h	10 h	20 h
1.85V/cell	192.4	146.1	126	110.2	85	63.6	51.2	29.1	20.7	16.2	13.5	11.6	9.19	7.7	4.02
1.80V/cell	220.7	161	138.1	118.8	89.5	65.9	52.9	30	21.4	16.7	13.9	12	9.46	7.86	4.1
1.75V/cell	251.1	180.8	150.2	126	93.3	68	54.3	30.9	21.9	17.1	14.2	12.3	9.66	8	4.17
1.70V/cell	276.4	196	160.1	134.1	98.1	70.9	55.9	31.4	22.4	17.6	14.6	12.5	9.82	8.14	4.24
1.67V/cell	305.8	213.4	171.2	140.2	102.3	73	57.5	32	22.8	17.8	14.8	12.6	9.99	8.28	4.31
1.60V/cell	336.2	230.3	180.7	147.6	106.3	75.7	58.8	32.6	23.1	18.2	15.1	12.9	10.2	8.43	4.36

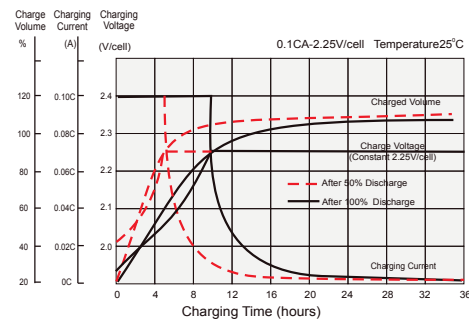
CONSTANT POWER DISCHARGE (WATTS/CELL) AT 25°C (77°F)

Final V / Time	5 min	10 min	15 min	20 min	30 min	45 min	1 hr	2 h	3 h	4 h	5 h	6 h	8 h	10 h	20 h
1.85V/cell	374.2	285.7	247.8	217.9	168.9	127	102.5	58.4	41.9	32.9	27.4	23.7	18.8	15.8	8.3
1.80V/cell	425	311.8	269	232.7	176.4	130.6	105.2	59.9	42.9	33.7	28.1	24.3	19.3	16.1	8.42
1.75V/cell	478.5	346.7	290	244.5	182.2	133.6	107.2	61.3	43.7	34.3	28.6	24.7	19.6	16.3	8.53
1.70V/cell	520.7	371.7	305.4	257.5	189.6	137.9	109.5	61.9	44.4	34.9	29.1	25	19.8	16.5	8.61
1.67V/cell	571.4	401.7	324.6	267.6	196.7	141.4	112	62.7	44.9	35.3	29.4	25.2	20	16.7	8.72
1.60V/cell	621.1	429	339.1	279	202.3	145.1	113.5	63.3	45.1	35.7	29.7	25.5	20.2	16.8	8.73

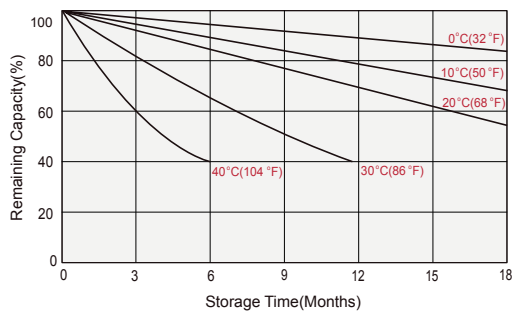
Discharge Characteristics



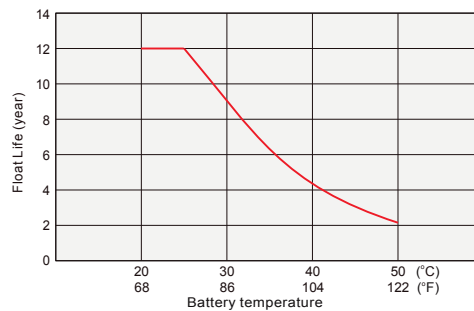
Float Charging Characteristics



Temperature Effects in Relation to Battery Capacity



Temperature Effects on Long Term Float Life



AUTHORIZED DEALER



Osonix
www.en.osonix.com
info@osonix.com