



OBS1285HR (12V 85W) High Rate VRLA Battery

OSONIX High Rate VRLA has High-Density AGM technology, Manufactured from high purity lead (99.99%), its advanced lead tin calcium alloy reduces reduces grid corrosion and promotes long battery life for up to 12 years.



► Features

- Absorbed Glass Mat technology (AGM) for greater than 99.99% recombination efficiency
- Special designed thin grids for optimized high power density
- Oversized partition intercell welds, providing low resistance connections & minimal power loss
- Compliance with IATA/ICAO Special Provisions Compliance A67 (No restrictions for rail, road, sea & air transport)
- Superior performance at high rates of discharge & recharge

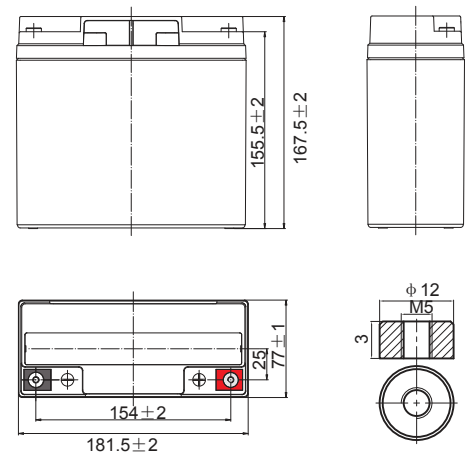
► Applications

- UPS
- Hospitals & Testing Laboratories
- Emergency Power Supply
- Telecommunications
- Data Centers
- Banks & Financial Centers
- Power Generation Plants
- High Power Backup Supply
- Emergency Lighting Systems



SPECIFICATIONS STANDARD @ 25°C (77°F)		
Nominal Voltage		12 V
Nominal Rate (15 min to 1.67 V/cell)		85 W/cell
Nominal Capacity (10 hrs. to 1.80 V/cell)		18.6 Ah
Rated capacity	18.2 Ah	(8hr, 2.28A, 1.80V/cell)
	15.8 Ah	(3hr, 5.26A, 1.75V/cell)
	13.3 Ah	(1hr, 13.3A, 1.67V/cell)
Max. Discharge Current		300 A
Internal Resistance		15 mΩ
Operating Temp. Range	Discharge	-15~55°C (4~131°F)
	Charge	0~40°C (32~104°F)
	Storage	-15~50°C (5~122°F)
Nominal Operating Temp. Range		25 ±3 °C (77 ±5°F)
Short Circuit Current		1700 A
Charge voltage	Float	13.5 V
	Temp. Coefficient	-3 mV / cell / °C
	Equalization	14.1 ~ 14.4 V
Self Discharge		≤3% /month

PHYSICAL SPECIFICATION		
Dimension	Length	181.5 ±2 mm (7.14 inches)
	Width	77 ±1 mm (3.03 inches)
	Height	167.5 ±2 mm (6.59 inches)
	Total Height	167.5 ±2 mm (6.59 inches)
Weight		6.0 Kg (12.23 lbs)
Terminal		M5
Container Mat. (Flame retardant)		ABS UL94 V-0
Recommended Torque		4 Nm (35.40 in-lbs)
Maximum allowable torque		5.4 Nm (47.79 in-lbs)



Compliance with:
IEC 60896 standard
CE, UL 1989, UL94 V-0
IATF16949, OHSAS 18001, ISO 9001, ISO 14001 certified production



OBS1285HR (12V 85W)

High Rate VRLA Battery



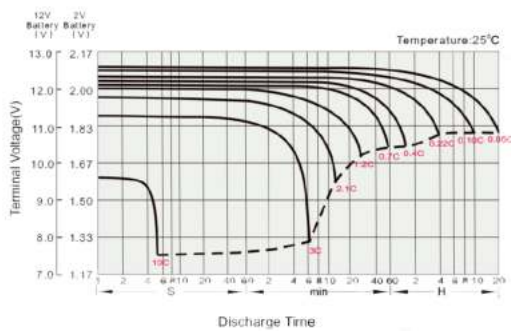
CONSTANT CURRENT DISCHARGE (AMPERES) AT 25°C (77°F)

Final V / Time	5 min	10 min	15 min	20 min	30 min	45 min	1 hr	1.5 h	2 h	3 h	4 h	5 h	8 h	10 h
1.85V/cell	52.6	37.4	32.4	26.3	18.5	13.7	10.9	7.90	6.33	4.74	4.74	3.75	2.13	1.74
1.80V/cell	61.4	44.1	37.7	30.3	21.0	15.4	12.1	8.65	6.88	5.12	4.04	3.36	2.28	1.86
1.75V/cell	66.9	47.3	39.9	31.8	21.9	16.0	12.6	8.94	7.09	5.26	4.14	3.44	2.32	1.89
1.70V/cell	72.5	50.5	42.2	33.5	22.9	16.6	13.0	9.24	7.32	5.41	4.24	3.52	2.36	1.92
1.67V/cell	75.8	52.5	43.5	34.4	23.4	17.0	13.3	9.41	7.44	5.50	4.30	3.56	2.39	1.94
1.60V/cell	83.6	56.9	46.6	36.5	24.7	17.8	13.9	9.83	7.75	5.70	4.45	3.67	2.44	1.98

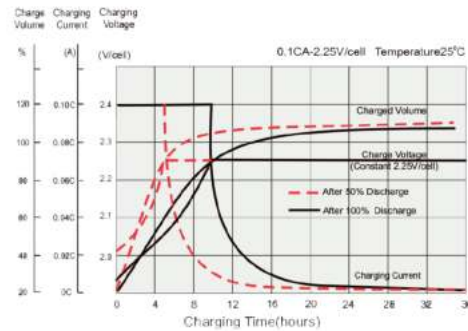
CONSTANT POWER DISCHARGE (WATTS/CELL) AT 25°C (77°F)

Final V / Time	5 min	10 min	15 min	20 min	30 min	45 min	1 hr	1.5 h	2 h	3 h	4 h	5 h	8 h	10 h
1.85V/cell	114.0	78.7	64.4	50.7	35.8	26.6	21.3	15.4	12.4	9.28	7.36	6.15	4.21	3.45
1.80V/cell	128.8	90.6	73.9	57.9	40.2	29.6	23.4	16.8	13.4	10.0	7.91	6.60	4.50	3.68
1.75V/cell	138.9	95.6	77.2	60.1	41.6	30.5	24.1	17.2	13.7	10.2	8.08	6.73	4.57	3.73
1.70V/cell	147.6	100.4	81.7	62.7	43.1	31.4	24.8	17.7	14.1	10.5	8.25	6.86	4.64	3.78
1.67V/cell	153.0	103.2	85.0	64.0	43.9	32.0	25.2	17.9	14.3	10.6	8.35	6.93	4.68	3.81
1.60V/cell	155.2	109.9	87.7	67.2	45.8	33.3	26.2	18.6	14.8	10.9	8.58	7.12	4.78	3.88

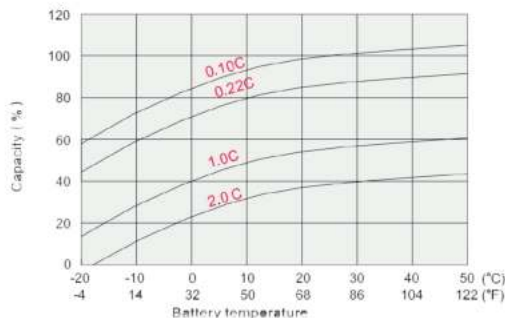
Discharge Characteristics



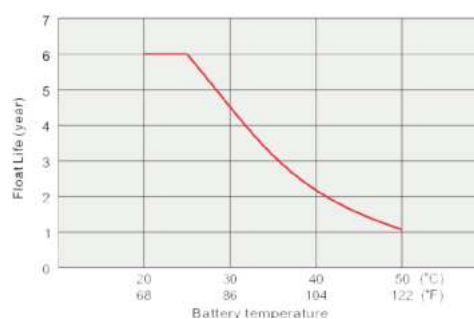
Float Charging Characteristics



Temperature Effects in Relation to Battery Capacity



Temperature Effects on Long Term Float Life



AUTHORIZED DEALER



Osonix
www.en.osonix.com
info@osonix.com